

CIVA Free Known Programme 1

Check List for Advanced Power 2021

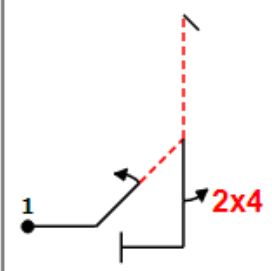
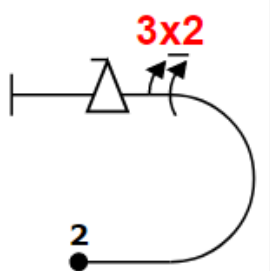
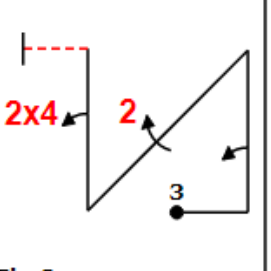
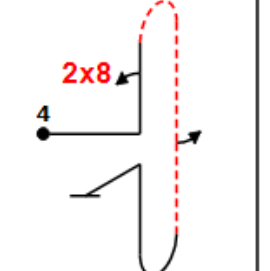
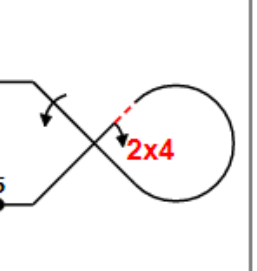


Team:	Pilot Name:	Event:
--------------	--------------------	---------------

V1 01-01-21

<i>Elements to Check:</i>	<i>Correct</i>	<i>Incorrect</i>
The sequence must be submitted as a computer file that provides the approved CIVA Forms A, B and C, or alternatively CIVA Forms L and R.		
The sequence must comprise TEN figures – no more and no less.		
The FIVE Advanced “Known” figures for 2021 must be clearly identified, and used without change from the CIVA 2021 published format; see below.		
The FIVE “Free” figures added by the competitor must be clearly identified and the whole sequence must in every respect comply with Section-6 part-1 regulations.		
No repetition of catalogue numbers is allowed.		
The Form-A Catalogue numbers must be correct versus Form B, or L versus R.		
Form A matches Form B , Form B matches Form C, or Form L matches Form R.		
The maximum Total K allowed = 320.		

For 2021 the 5 approved master figures for the Advanced power category are as shown here:

 <p>Fig A 5.3.2.1(24) 9.1.2.2(6) 9.4.5.2(5) K: 35</p>	 <p>Fig B 7.2.2.1(6) 9.2.3.6(12) 9.9.3.4(11) K: 29</p>	 <p>Fig C 1.3.14.1(22) 9.1.1.2(8) 9.2.4.4(9) 9.4.1.2(9) K: 48</p>	 <p>Fig D 8.8.6.1(21) 9.8.1.1(7) 9.1.5.2(4) K: 32</p>	 <p>Fig E 7.3.2.1(14) 9.4.2.2(7) 9.1.2.4(10) K: 31</p>
--	---	--	---	---

Checked by:		Date:
Initials	Signature	